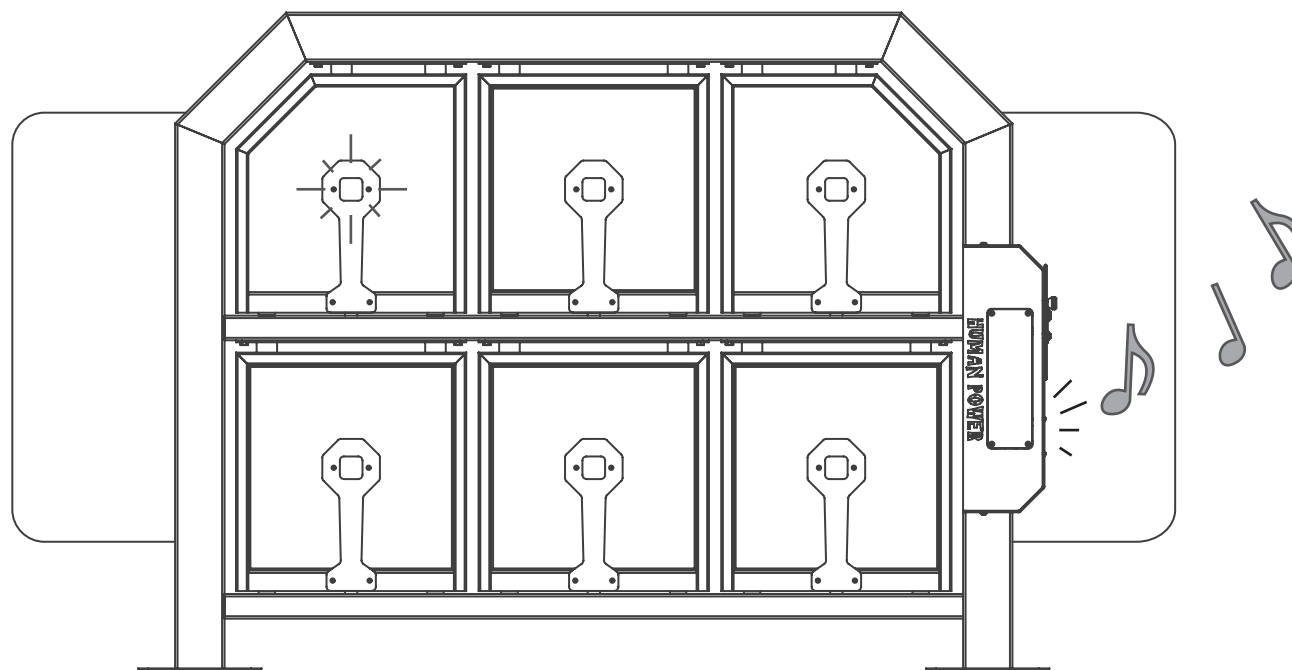


ShotSpot User Manual



SS90011_25082020

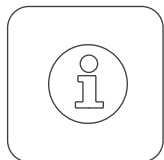




3 Install the Product

Overview Product

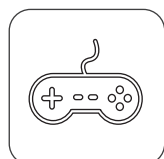
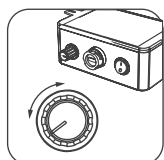
3



3 Check Interactive Elements

Control the Volume

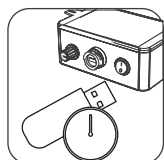
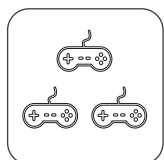
4



4 Play and Test

The 3 Games

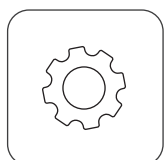
5



6 Install and Manage a Timelock

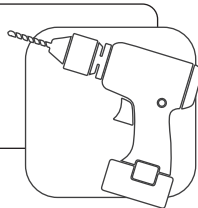
Maintenance

7

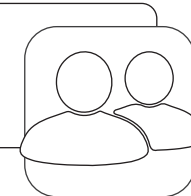


Install the Product

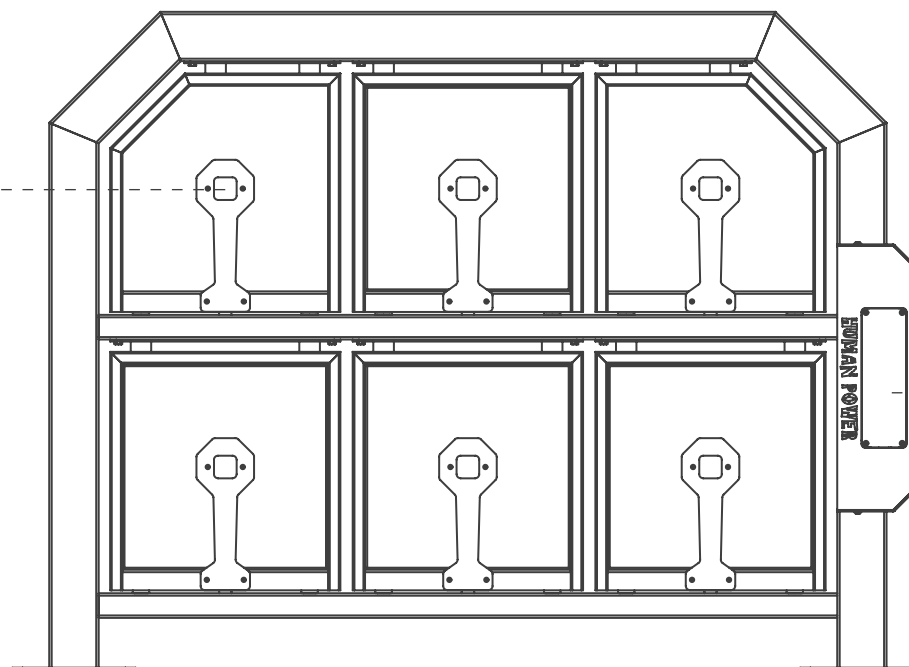
Install the product according to the Playnetic Installation Manual. During the installation, make sure that the potential users can not be exposed to hazards / dangerous situations. Check the stability of the product.

**Number of Users**

Playnetic recommends you to use the product with a maximum of six users.



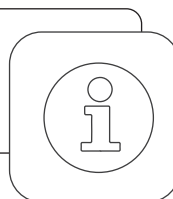
LED with shock sensor
hit to play games



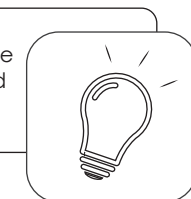
Hand wheel
turn for energy
Service hatch
Speaker

Overview Product

The overview above shows where all important parts can be found.

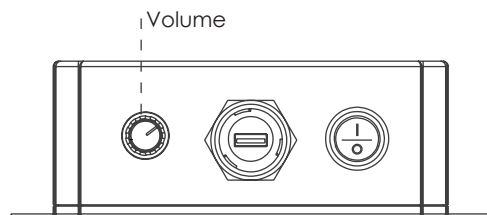
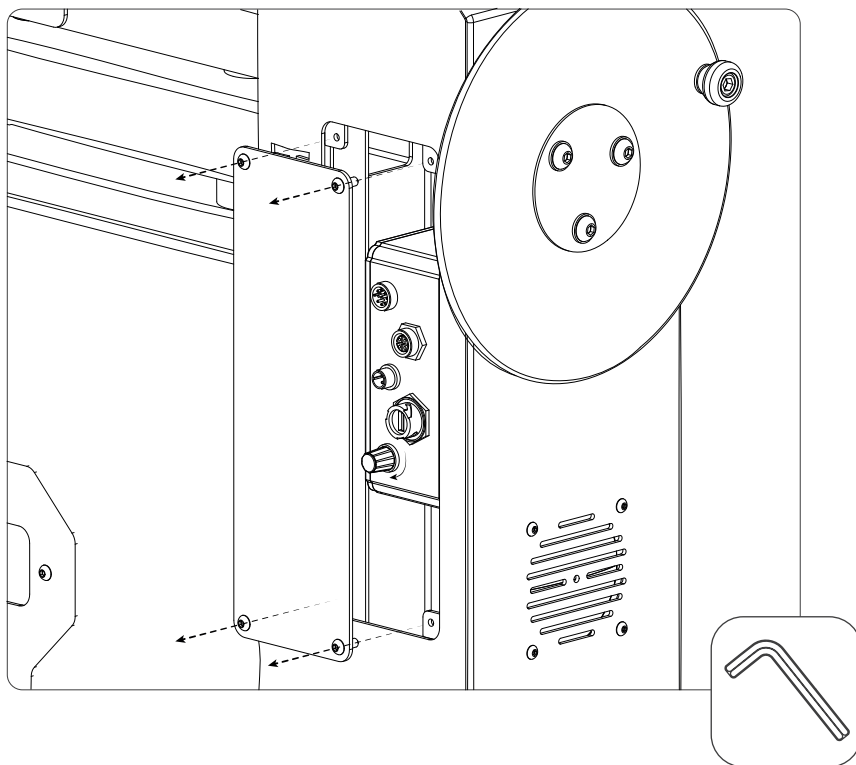
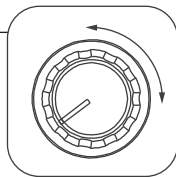
**Check Interactive Elements**

Use the product and generate energy. If applicable, check that the interactive elements such as the music, lights, smell, electronic- and mechanical parts are working properly.



Control the Volume

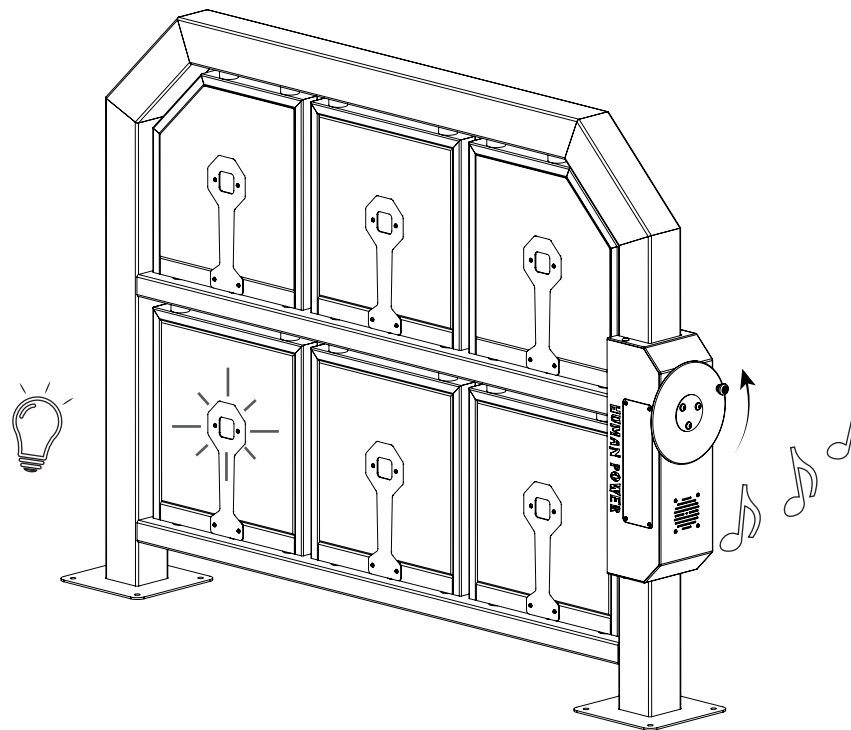
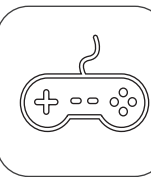
1. Remove the bolts with the supplied hex key.
2. Remove the service hatch.
3. Generate energy with the product.
4. Adjust the volume.
5. Close the service hatch.



Play and Test

1. Generate energy with the product.
2. Test if all 3 games can be played.
3. Test if the LED lights and music work properly.

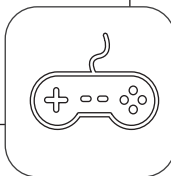
*Are the tests incorrect? Make sure that you've generated enough energy. No succes? Contact your local dealer.



The 3 Games

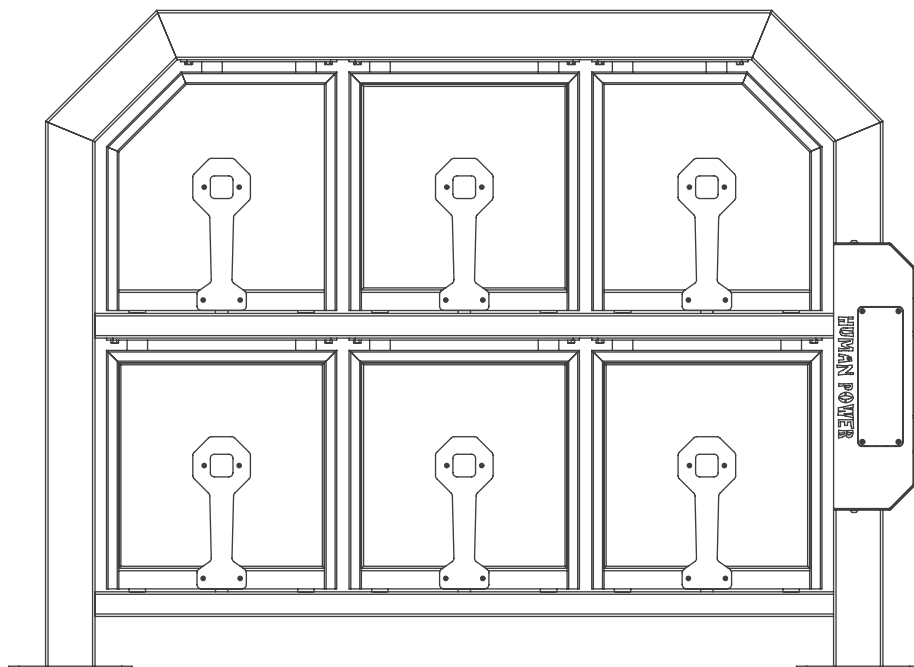
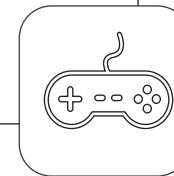
1. Sharpshooter

1 of the 6 tiles lights up. It is up to you to aim and hit the right tile. Try to hit as many as possible for the highest score!



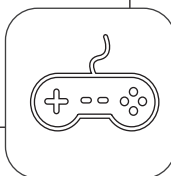
2. Goal Keeper

1 red light keeps jumping around from tile to tile. Your job is to NOT hit the tile with the red light. Because that is where the goal keeper is! Can you score?



3. Music

Every tile produces a different sound! Just have fun and try to make a nice music beat by hitting the tiles! Dance and have fun.

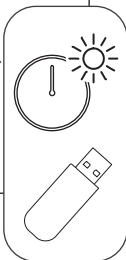


Receive Timelock

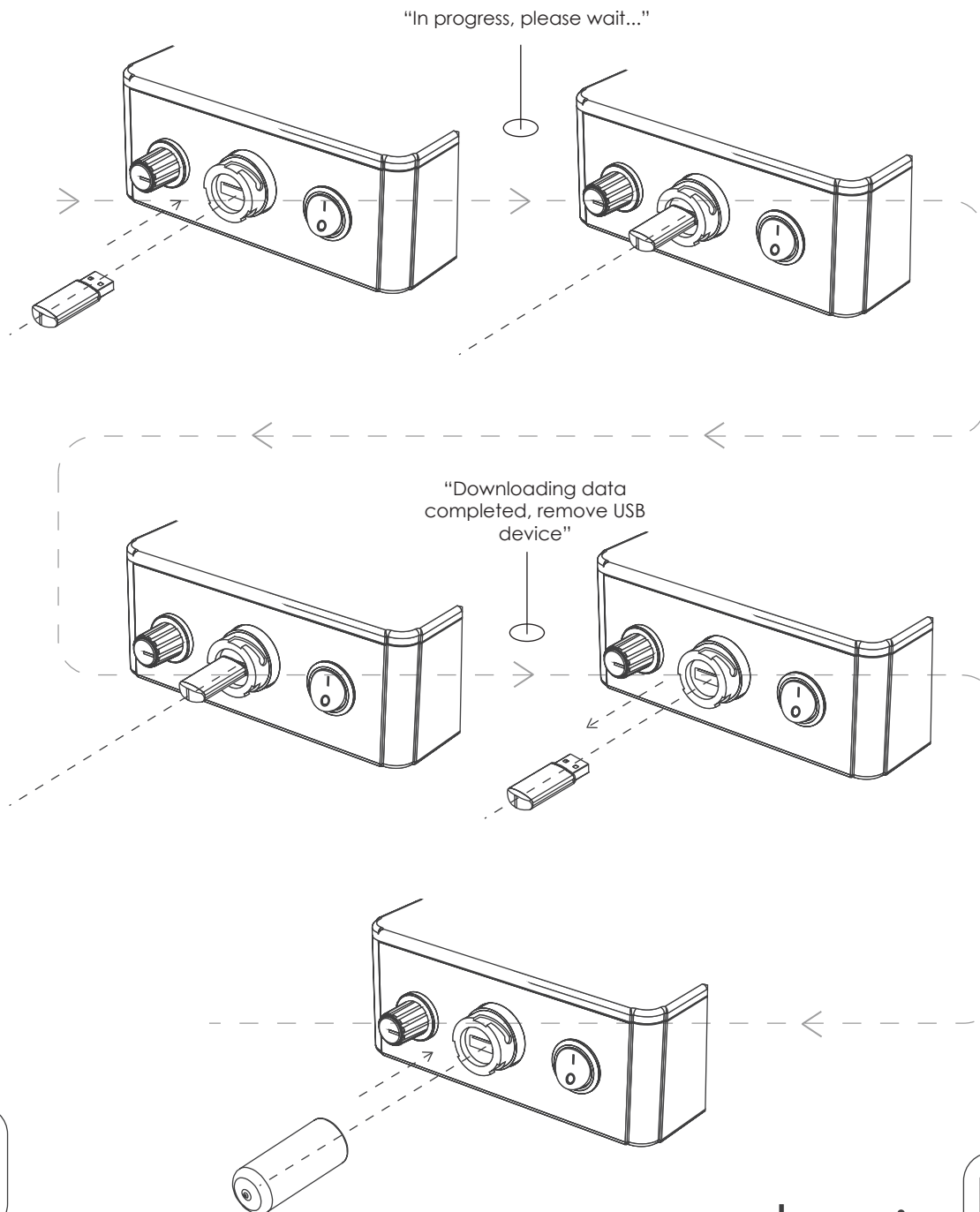
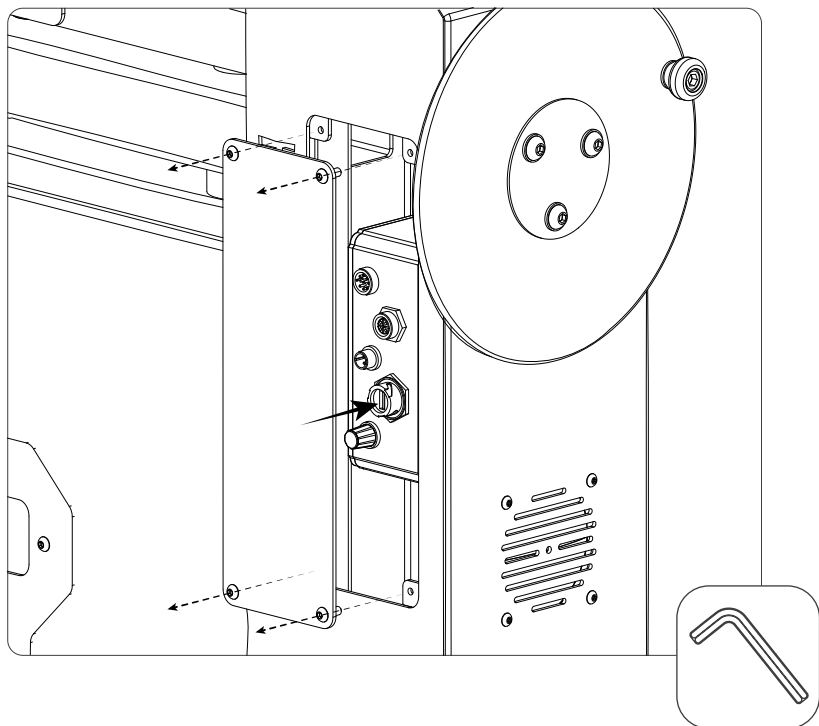
1. Receive a USB device. Playnetic has set the correct start- and endtime for you.

**Install and Manage a Timelock**

1. Remove the bolts with the supplied hex key.
2. Remove the service hatch.
3. Important! The timelock must be installed at 12 o'clock local time. If the installation is being done too late or too early, the timelock will not work properly.
4. Put the USB stick into the computer.
5. Generate energy. Wait until the update is completed. Remove the USB stick after completion.
6. Make sure that you put the dust cover back over the USB port.
7. Close the service hatch.

**Update Your Timelock 2x a Year**

For updating your timelock, use the USB device you received from Playnetic with the correct start- and endtime (same USB device for install option). Repeat step 1 till 7 in 'install a timelock' to complete the update.



Maintenance

The product must be maintained according to the Playnetic Maintenance Advice.

