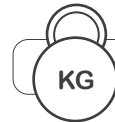
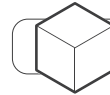


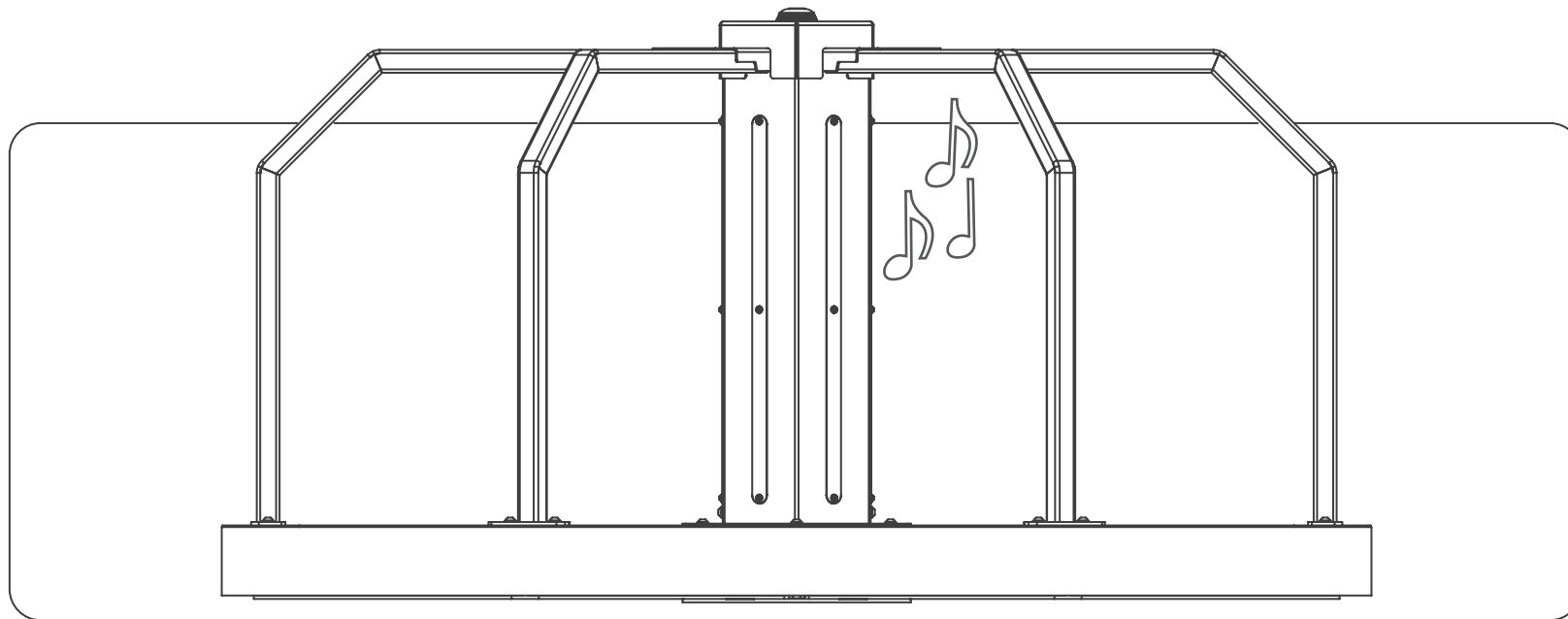
KineticSpinner Installation Instruction



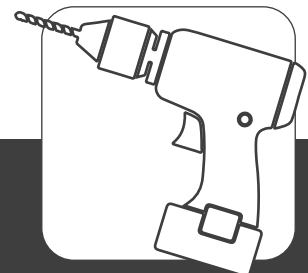
250 kilogram



2015 x 2015 x 1025 (mm)



KSP90021R3_24032020

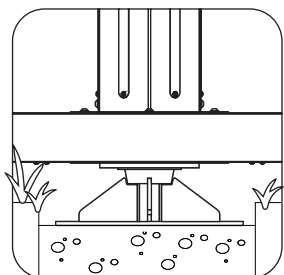
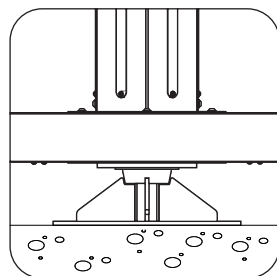




3 Obstacle free zone

Install on concrete floor

4

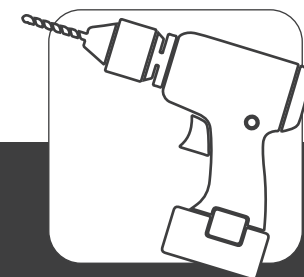
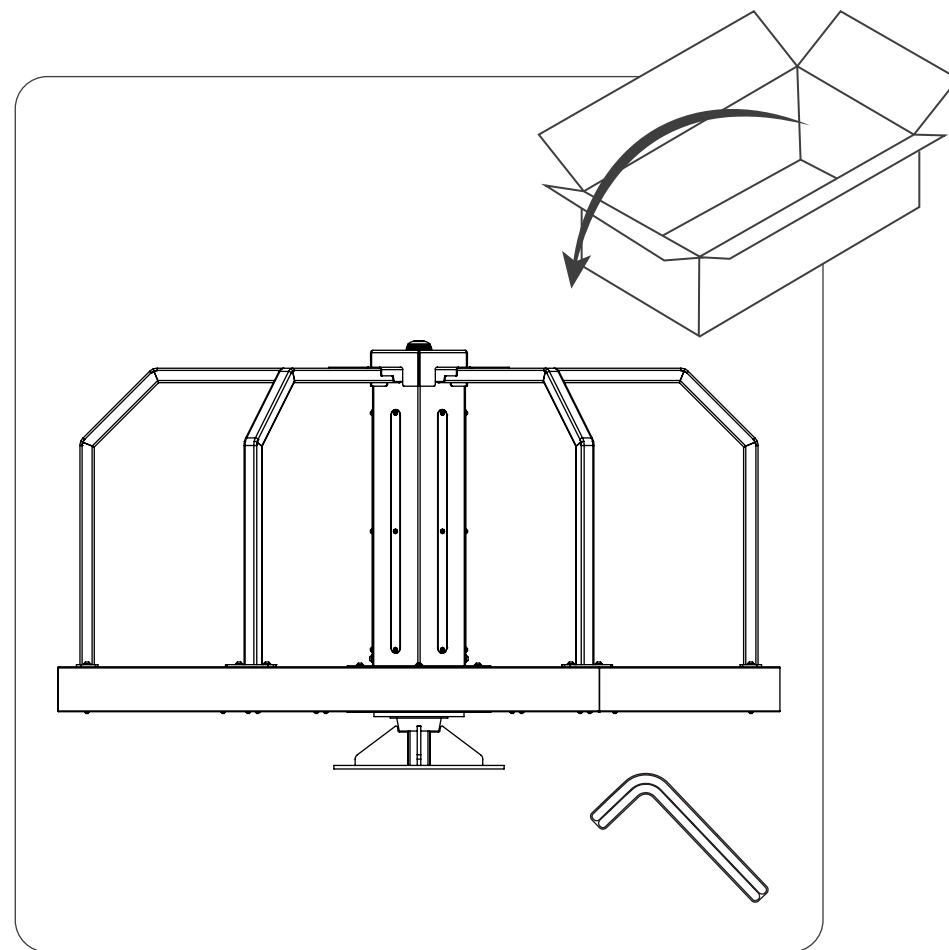
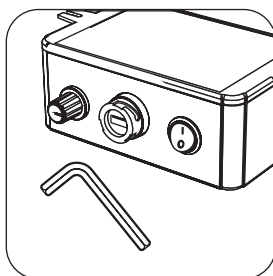


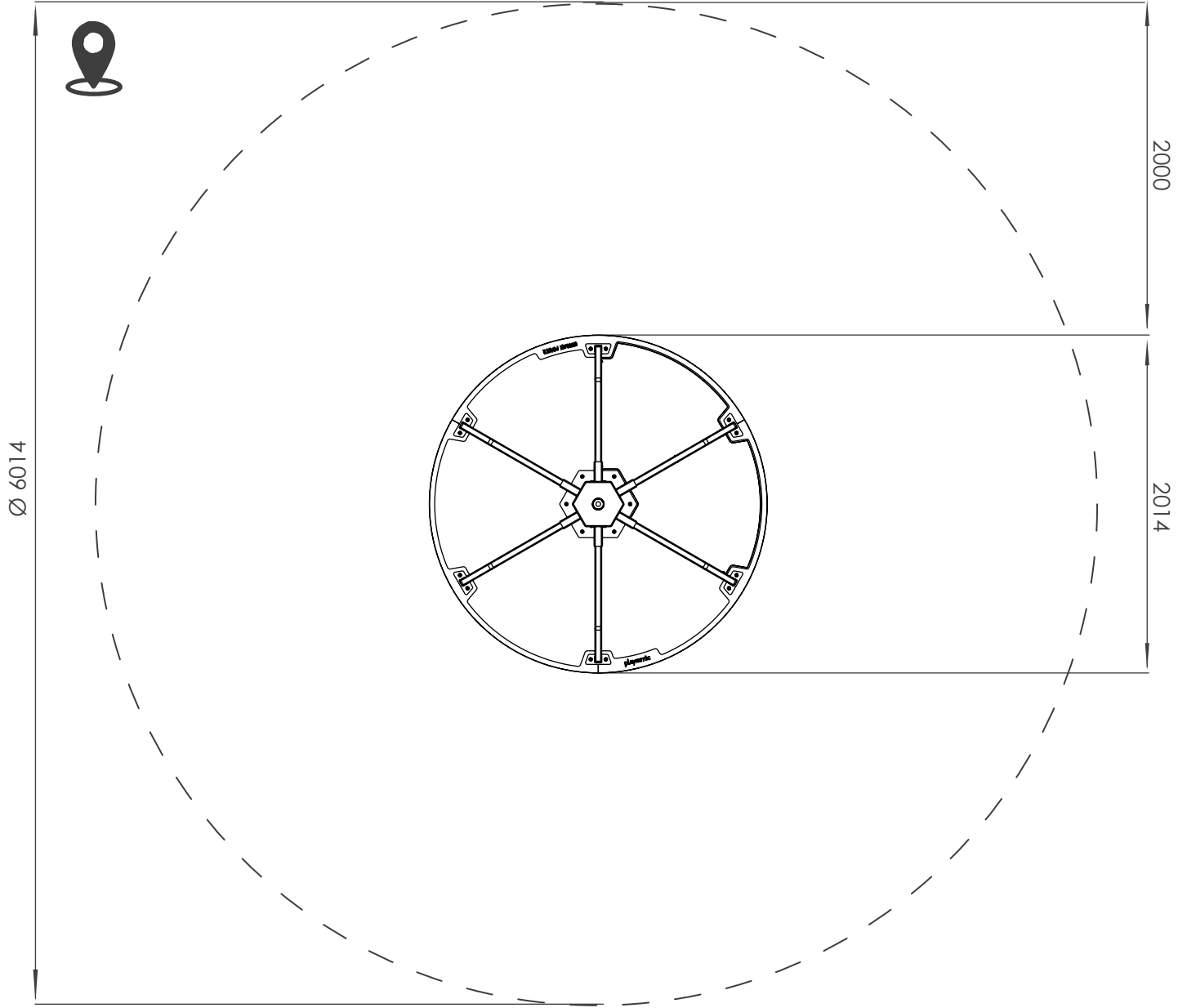
6

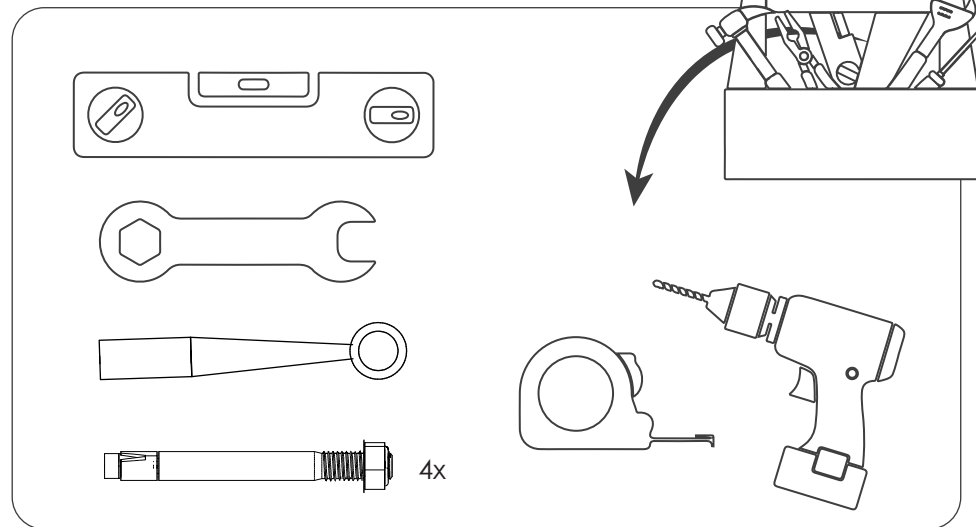
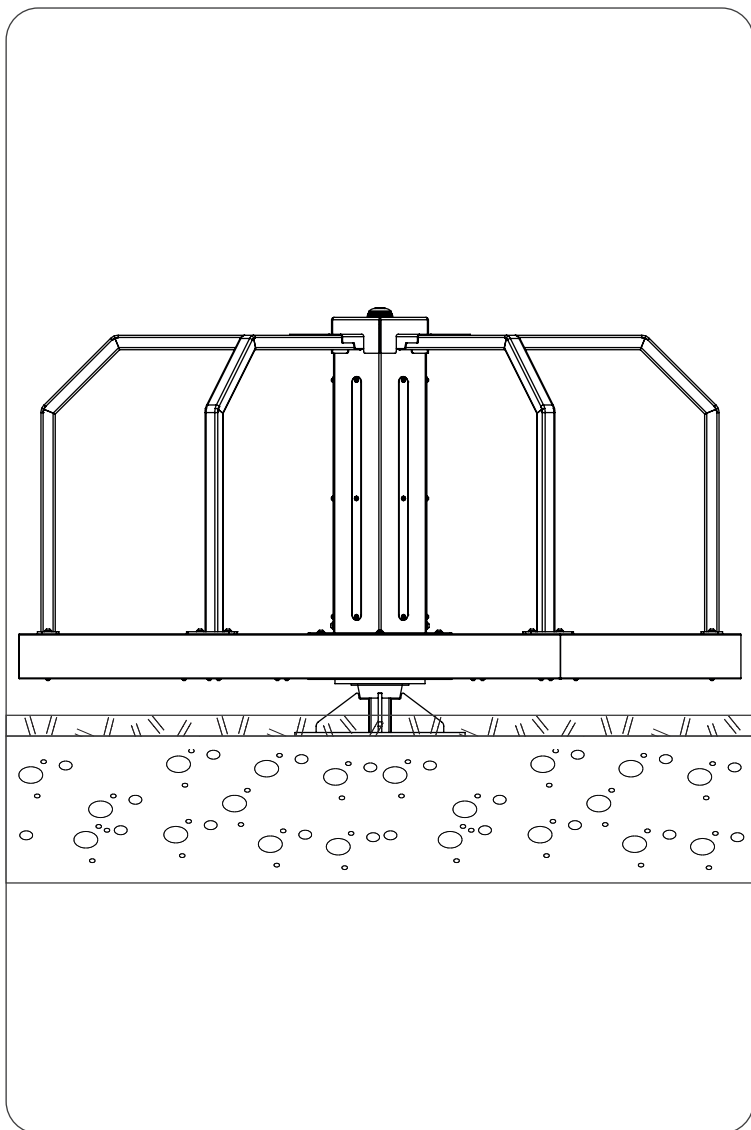
Install on grass

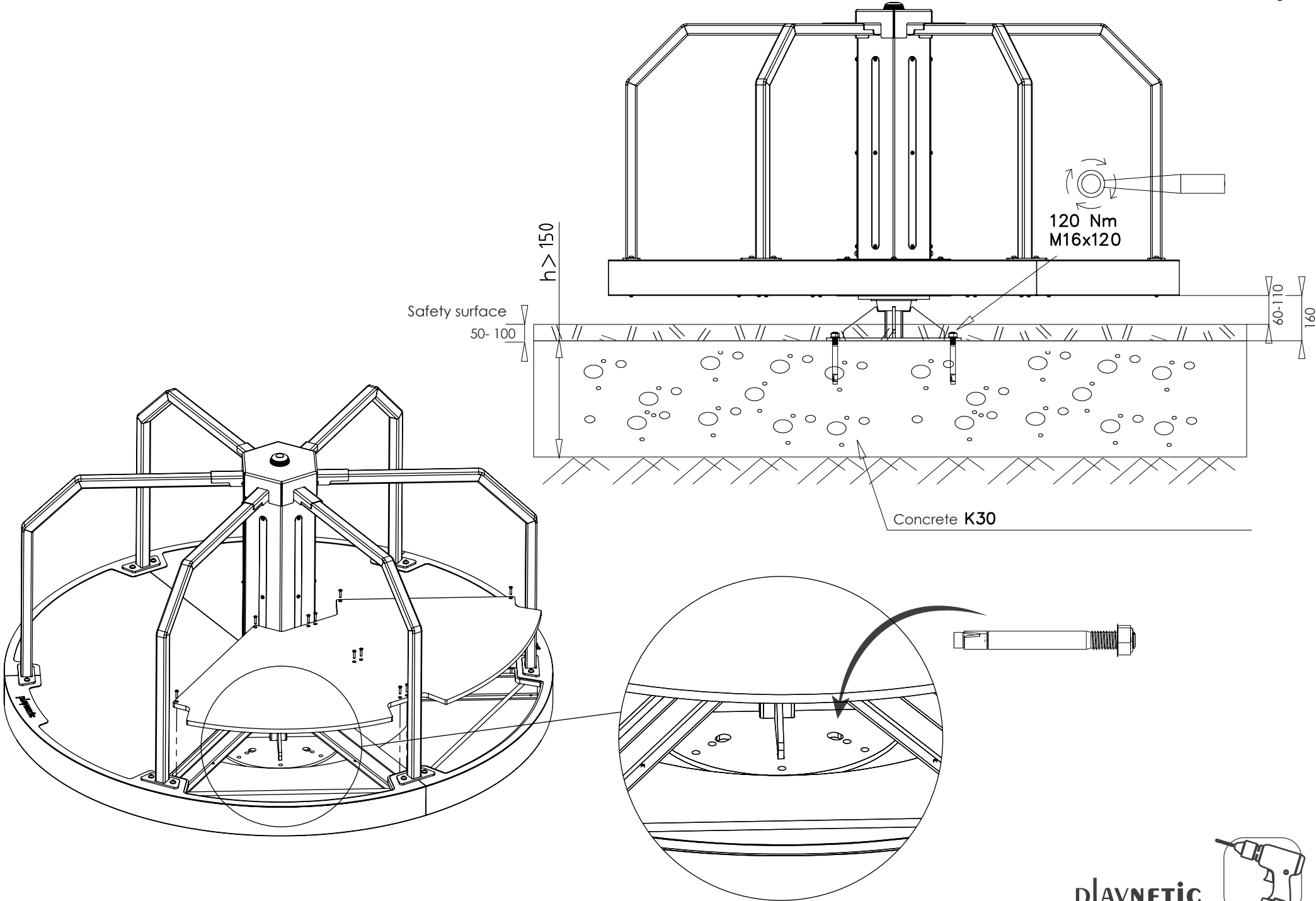
Open service hatch

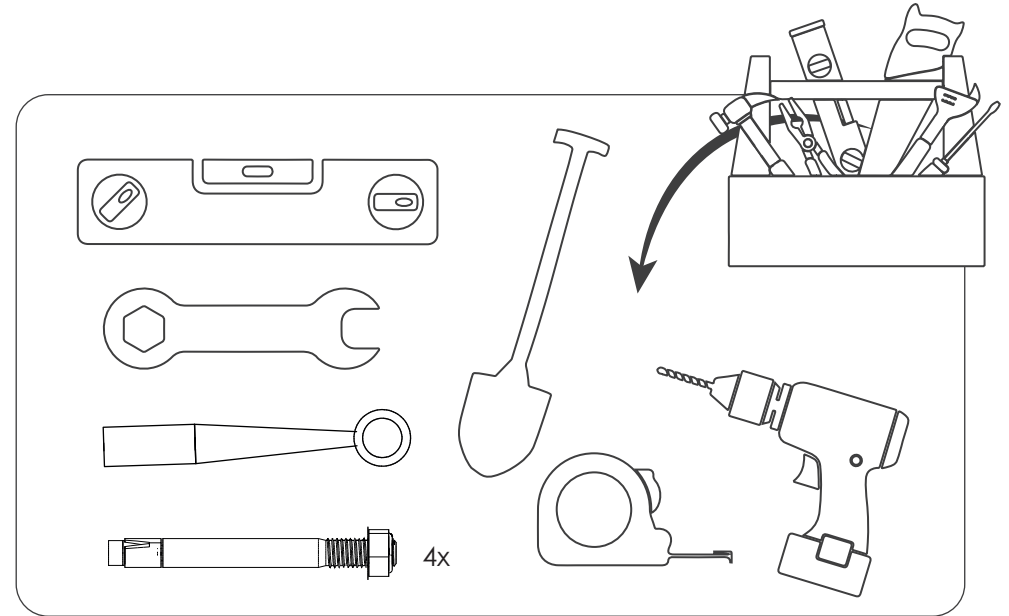
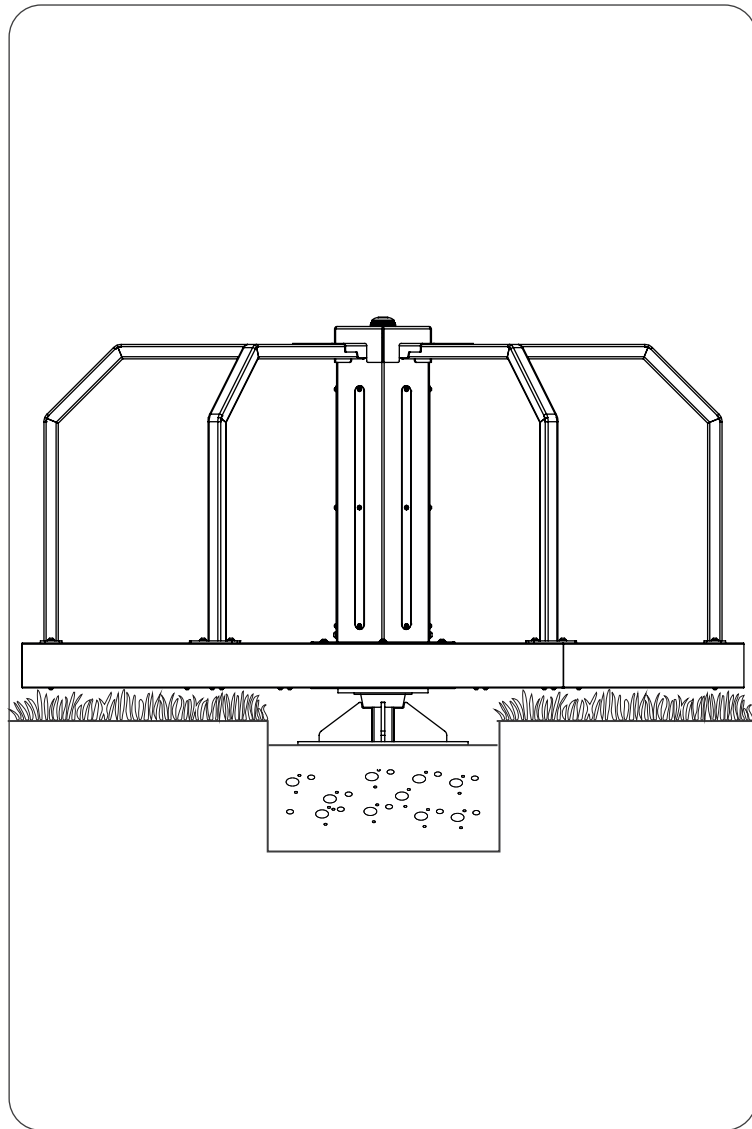
9

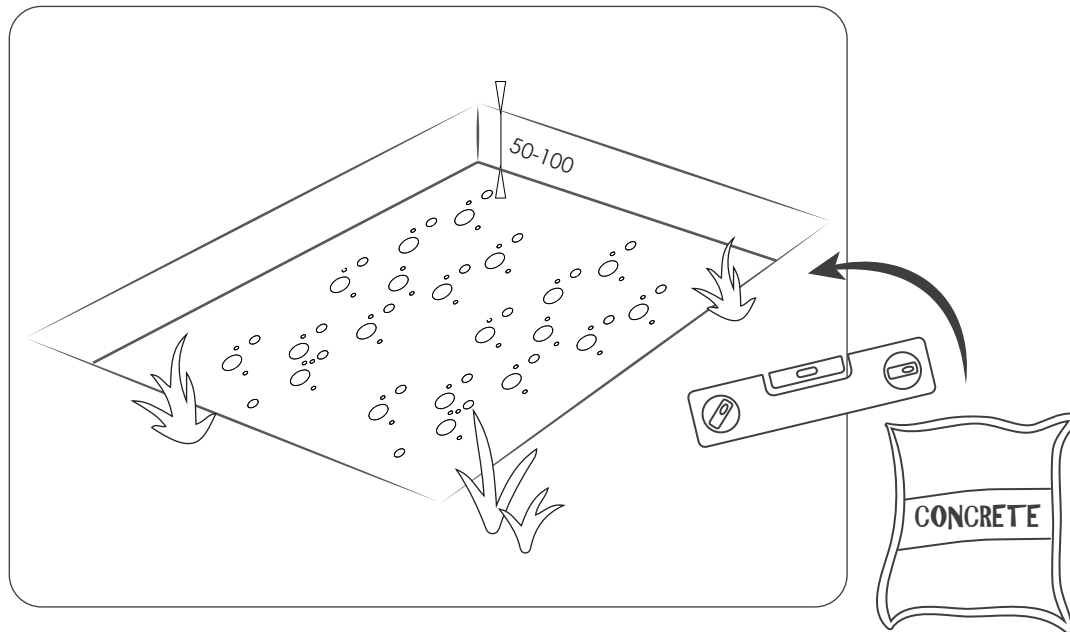
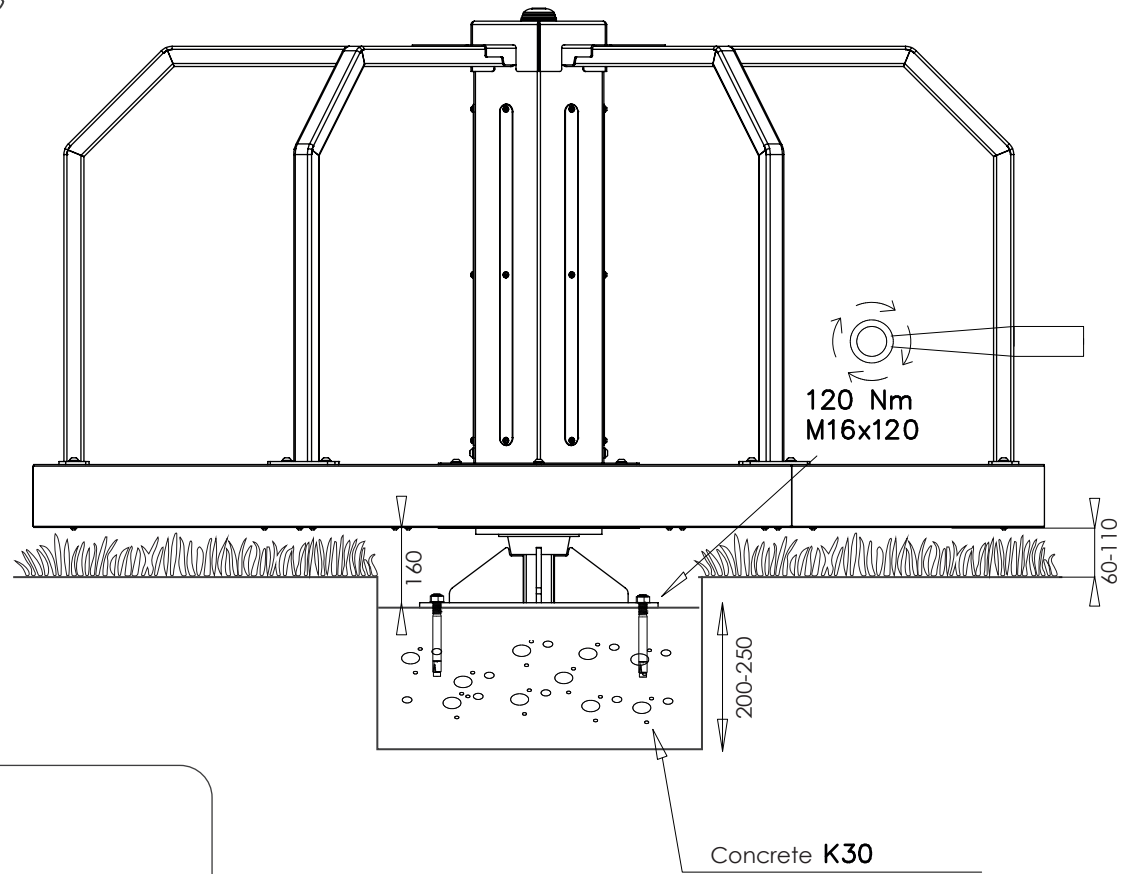
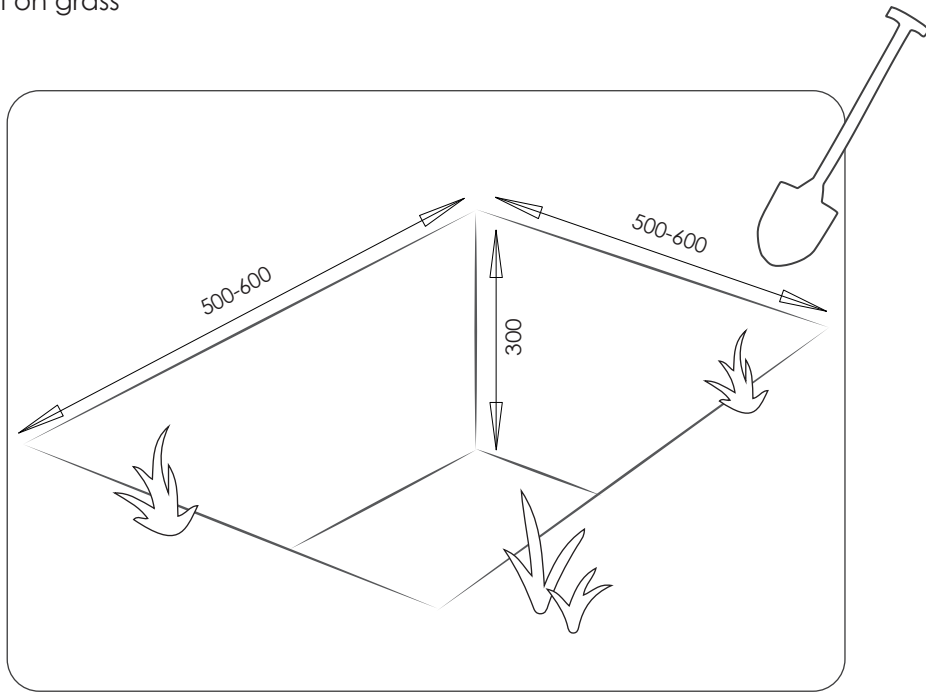


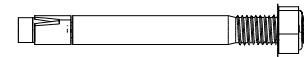
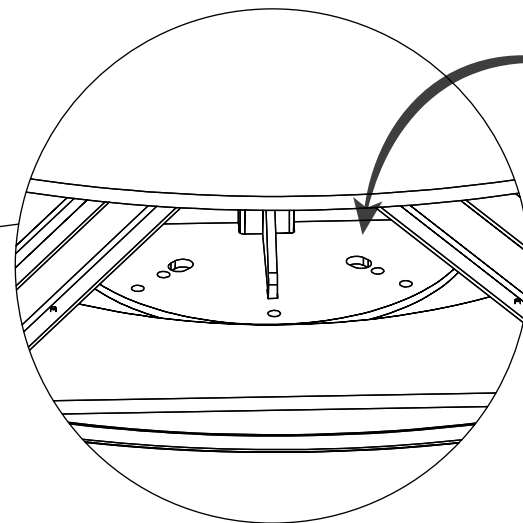
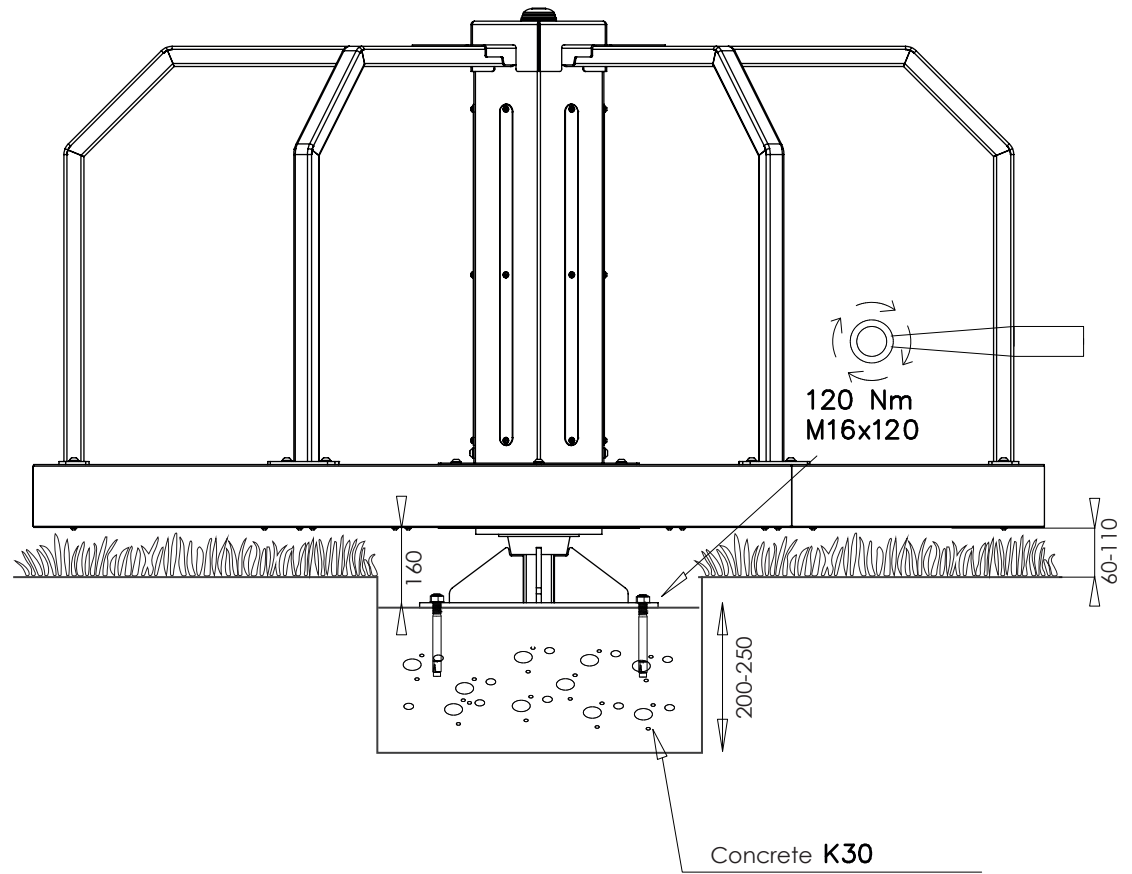
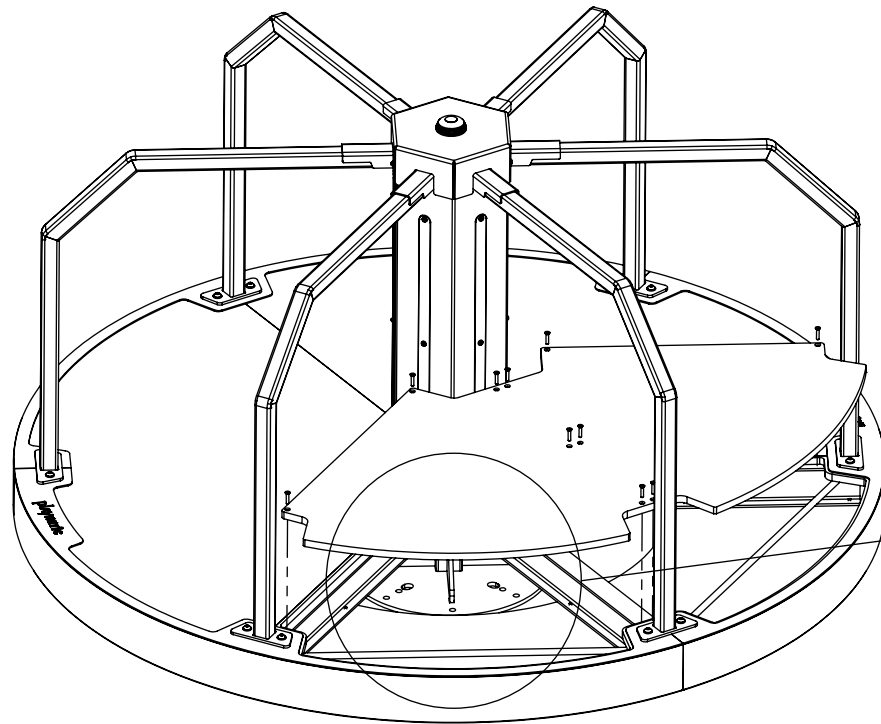












Open service hatch

* Find more information about the computer in the KineticSpinner User Manual

