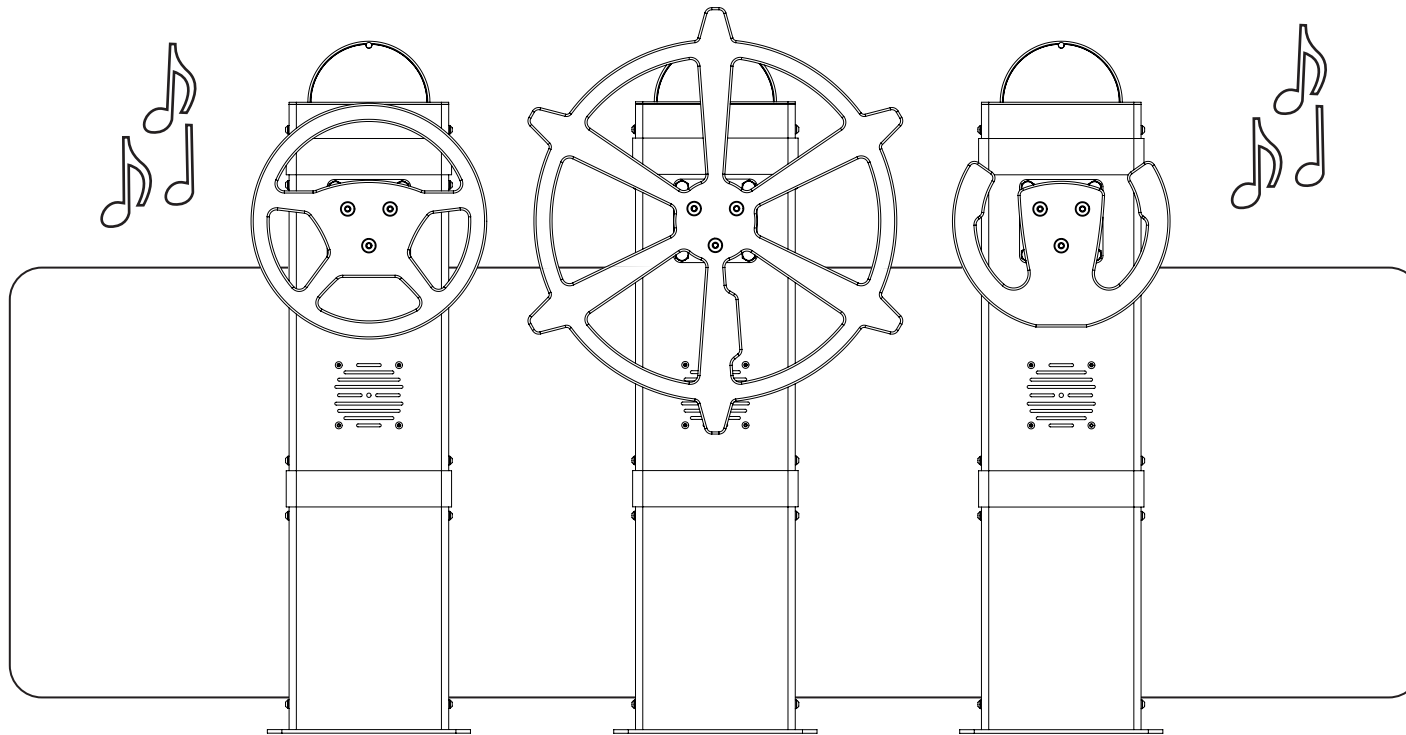
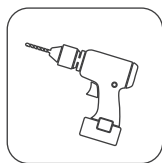


# Kinetic Wheel User Manual



KW90006\_23062020

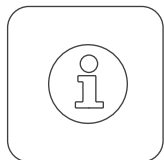




3 ..... Install the Product

Overview Product

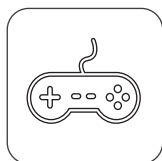
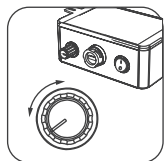
3



3 ..... Check Interactive Elements

Control the Volume

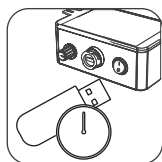
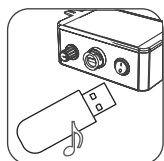
4



4 ..... Play and Test

Change the Content

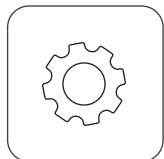
5



6 ..... Install and Manage a Timelock

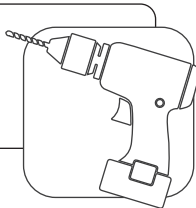
Maintenance

7

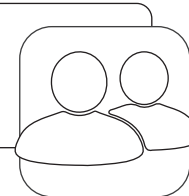


**Install the Product**

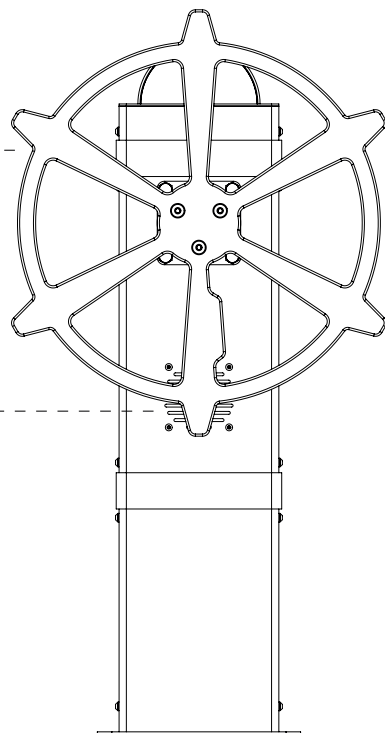
Install the product according to the Playnetic Installation Manual. During the installation, make sure that the potential users can not be exposed to hazards / dangerous situations. Check the stability of the product.

**Number of Users**

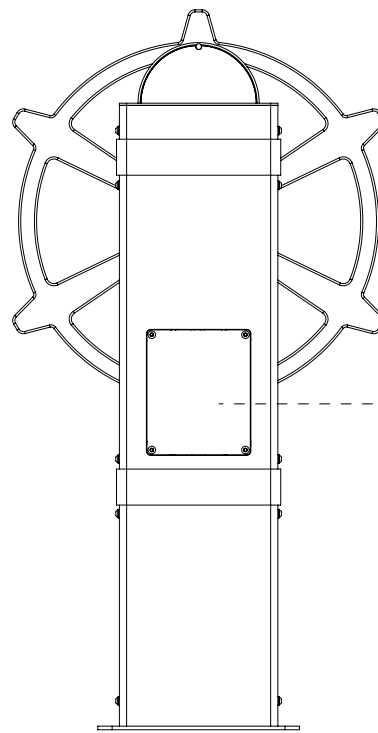
Playnetic recommends you to use the product with a maximum of one user at a time.



Ship wheel  
Turn for energy



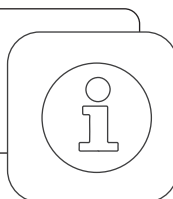
Speaker



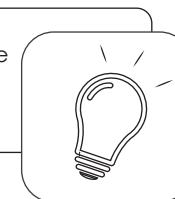
Service hatch

**Overview Product**

The overview above shows where all important parts can be found.

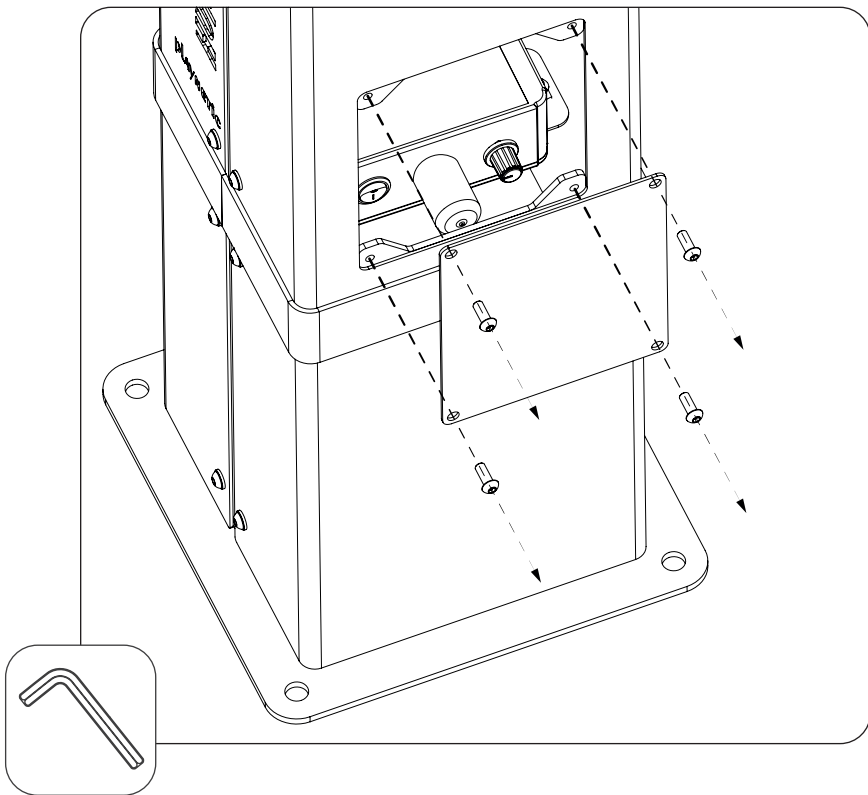
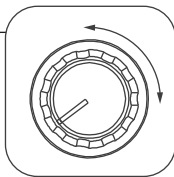
**Check Interactive Elements**

Use the product and generate energy. If applicable, check that the interactive elements such as the music, lights, smell, electronic- and mechanical parts are working properly.

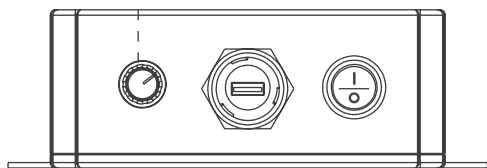


### Control the Volume

1. Remove the bolts with the supplied hex key.
2. Remove the service hatch with the label.
3. Generate energy with the product.
4. Adjust the volume.
5. Close the service hatch.



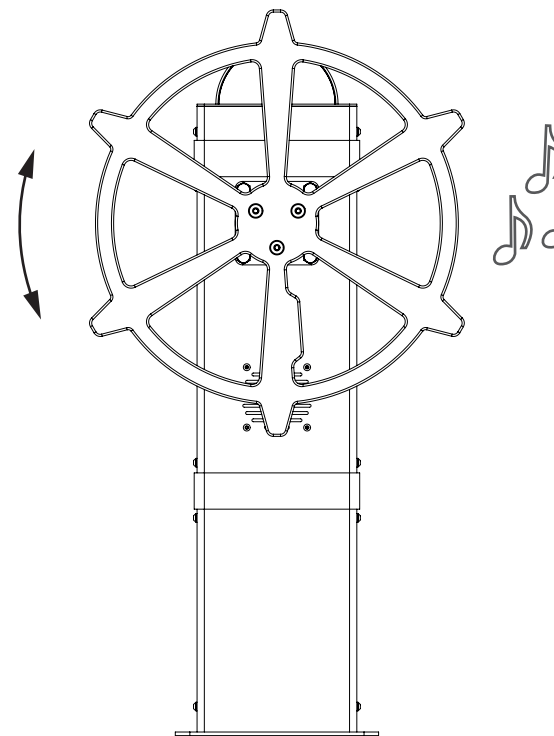
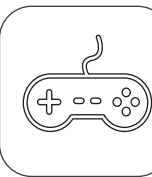
Volume



### Play and Test

1. Turn the wheel of the KineticWheel to generate energy with the product.
2. Test if the different audio fragments are played properly.

\*Are the tests incorrect? Then change the content. Follow the instructions in the Playnetic User Manual.

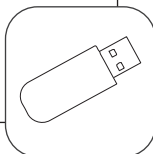


--- Read on --->



### Change the Content

1. Use the supplied hex key and unscrew the service-hatch bolts.
2. Remove the service hatch.
3. Remove the USB stick from inside the KineticWheel.
4. Insert the USB stick into a computer and place the new content / music on the USB stick. See the instruction on the right.
5. Insert the USB stick with the new content back into the KineticWheel.
6. Generate energy with the KineticWheel. You should now be able to hear your new content. If not, read the requirements on the right again.
7. Make sure that you put the dust cover back over the USB port.
8. Close the service hatch.

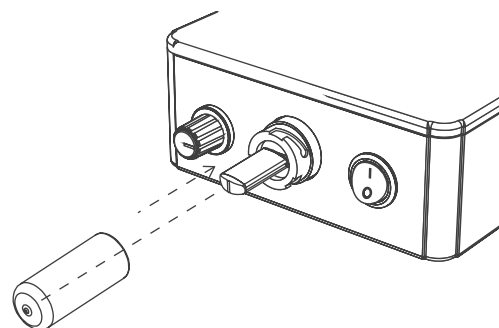
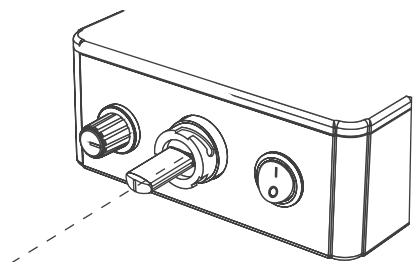
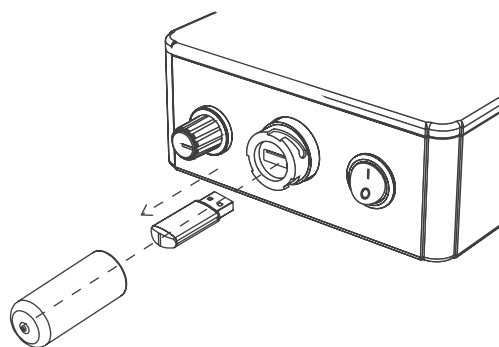
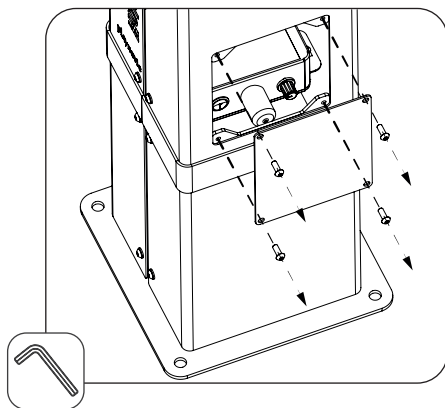
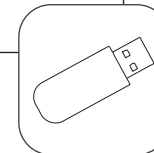


### USB Stick Content Requirements

Get a USB stick (from inside the product).

Make sure that you meet the following requirements:

- a. Only use MP3-files.
- b. The name of the MP3 file needs to have at least 5 characters.
- c. The name of the MP3 file can't contain any strange characters.
- d. A single MP3 file can not be bigger than 2 MB.



#### Sound\_A

Geluid met MP3-indeling  
1,46 MB



#### Sound\_B

Geluid met MP3-indeling  
1,79 MB



#### Sound\_C

Geluid met MP3-indeling  
1,18 MB



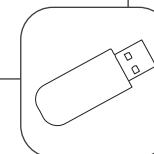
#### Sound\_D

Geluid met MP3-indeling  
1,18 MB



#### Sound\_E

Geluid met MP3-indeling  
1,18 MB



### Receive Time Lock

1. Receive a USB device. Playnetic has set the correct start- and endtime for you.



### Install and Manage a Time lock

1. Remove the bolts with the supplied hex key.  
2. Remove the service hatch.

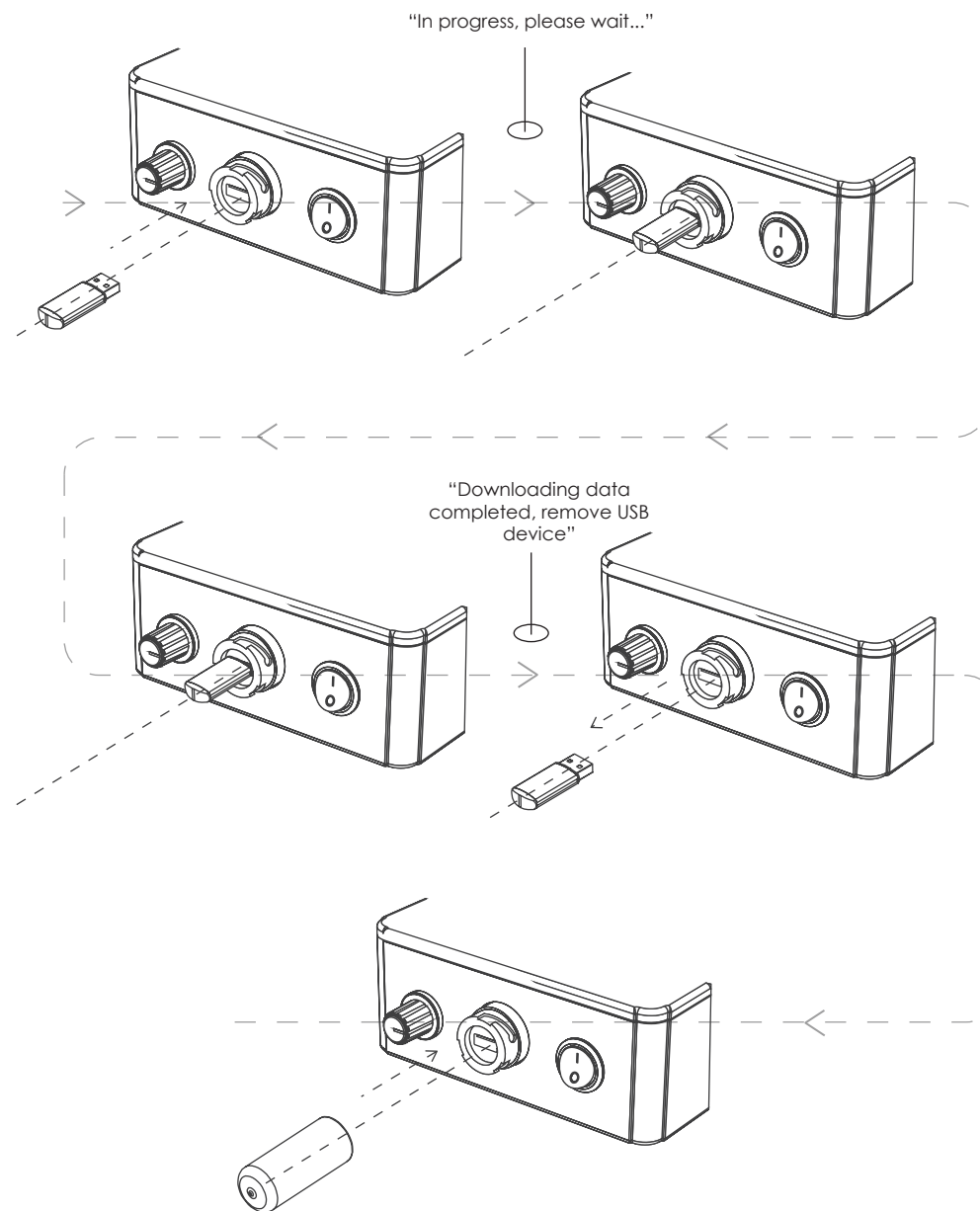
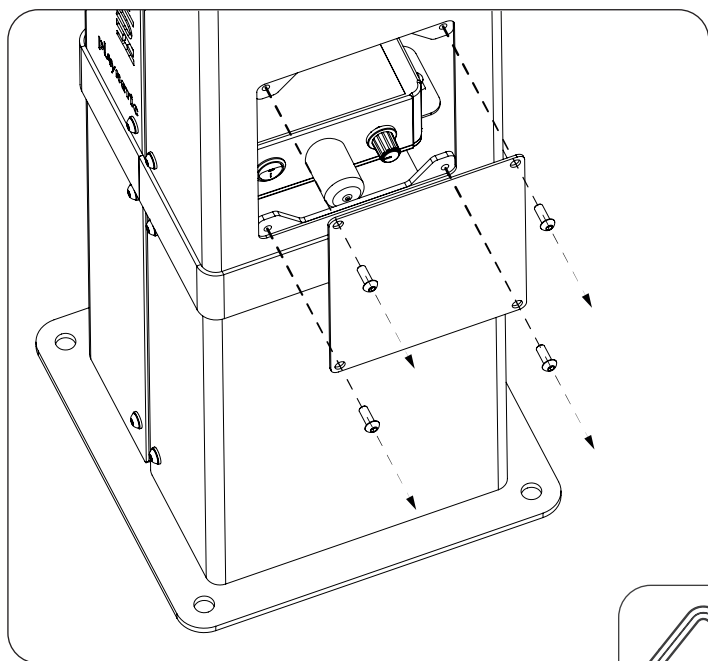
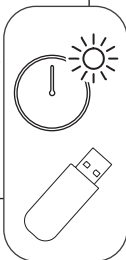
**3. Important! The time lock must be installed at 12 o'clock local time. If the install is being done too late or too early, the time lock will not work properly.**

4. Put the USB stick into the computer.

5. Generate energy. Wait until the update is completed. Remove the USB stick after completion.

6. Make sure that you put the dust cover back over the USB port.

7. Close the service hatch.



**Maintenance**

The product must be maintained according to the Playnetic Maintenance Advice.

